

High Gain Omni Directional Antenna for 2400 -2500 MHz

Version 3

SAA04-050280

Electrical Specification

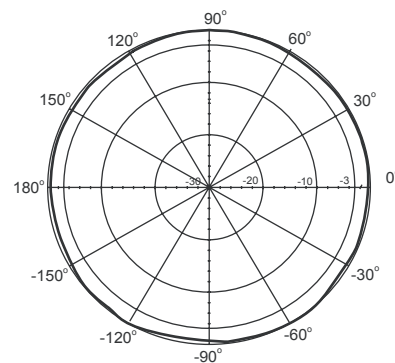
Frequency range	2400 - 2500 MHz
Gain	8.0 dBi
VSWR	2.0 : 1 (Max.)
Polarization	Linear, vertical
HPBW / horizontal	360°
HPBW / vertical	15°
Downtilt	0°
Power handling	20 W (cw)
Impedance	50 Ohm
Connector	N jack



Environmental & Mechanical Characteristics

Survival wind speed	216 km/hr
Temperature	- 40°C to +80°C
Humidity	95% @ 55° C
Radome color	Gray
Radome material	Fiber glass, UV resistant
Weight	0.34 kg
Dimensions	80 x 78 x 520 mm

H-plane Co-polarization Pattern



V-plane Co-polarization Pattern

