

# Dual-Band Omni-Directional Antenna

## for 2.4 / 4.9 / 5.2 / 5.6 / 5.8 GHz

Version 2

### SAA04-220860

#### Electrical Specification

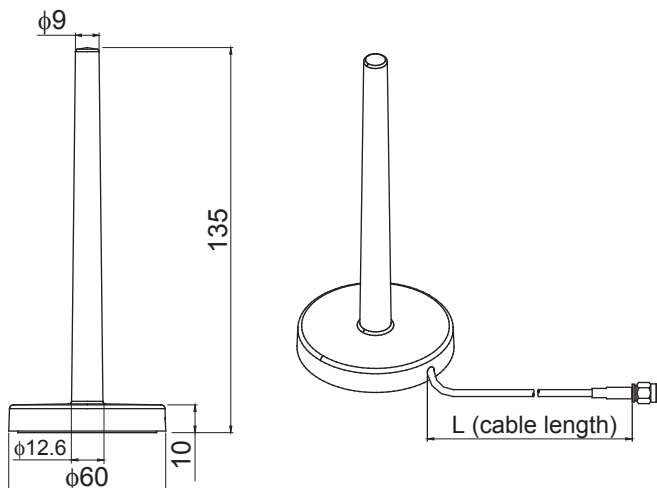
Frequency range	2400 MHz - 2500 MHz	4900 MHz - 5875 MHz
Gain <sup>1</sup>	2 dBi	3 dBi
VSWR	2.0 : 1 Max.	
Polarization	Linear, vertical	
HPBW / horizontal	360°	360°
HPBW / vertical	70°	50°
Impedance	50 Ohms	
Connector	RP SMA Plug	
Power handling	2 W (cw)	
Cable	ULA 100(Black), L 1M	

<sup>1</sup> Exclusive of cable loss

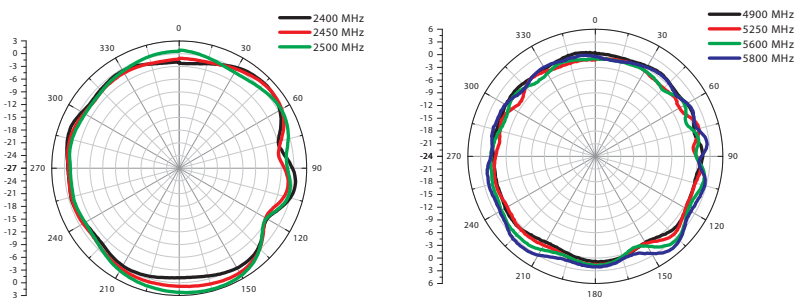


#### Environmental & Mechanical Characteristics

Temperature	- 10°C to +55°C
Humidity	95% @ 55°C
Radome color	Black
Radome material	PU
Weight	85 g
Dimensions	φ60 x 135 mm



H-plane Co-polarization Pattern



V-plane Co-polarization Pattern

