

# Dual-Band Directional Antenna

Version 1

## for 2.4 / 5.2 / 5.6 / 5.8 GHz

### SAA05-220560

#### Electrical Specification

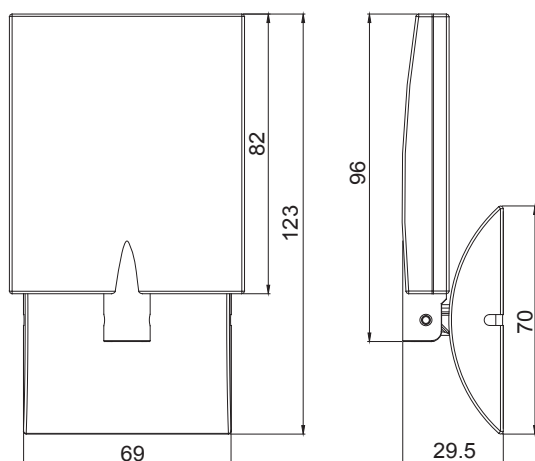
Frequency range	2400 MHz - 2500MHz	5150 MHz - 5875 MHz
Gain*	6.0dBi	8.0 dBi
VSWR	2.0 : 1 Max.	2.0 : 1 Max.
Polarization	Linear, vertical	Linear, vertical
HPBW / horizontal	70°	50°
HPBW / vertical	70°	60°
Impedance	50 Ohms	50 Ohms
Connector	RP SMA Plug (Quick)	
Cable	ULA 100 ,1m, black	
Cable loss	1.2 dB	2 dB
Front to back ratio	12 dB	12 dB

\* Exclusive of cable loss

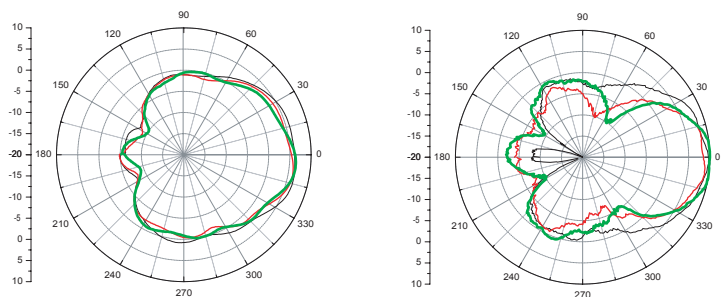


#### Environmental & Mechanical Characteristics

Temperature	- 10° C to +55° C
Humidity	95% @ 55° C
Radome material	ABS UV resistant
Weight	122 g
Dimension	123 x 69 x 29.5 mm



H-plane Co-polarization Pattern



V-plane Co-polarization Pattern

